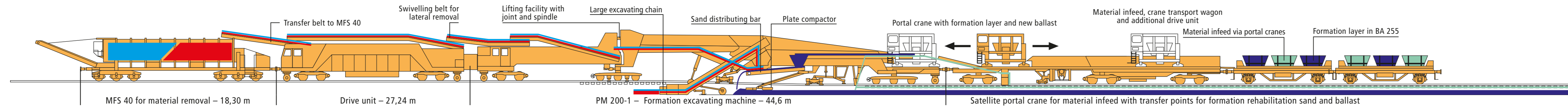


Modular design PM 200-1

PM 200-1

Spoil
Excavated ballast
New ballast
New FPL material

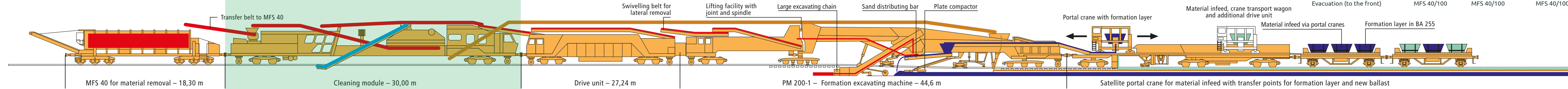


Schematic drawing of PM 200-1 BR/C

	Complete renewal	Ballast cleaning	Ballast recycling
Performance ø – 12 hours	220 m	330 m	400 m
Max. performance per hour	30 m	45 m	60 m
Ballast Excavation Chain		100 cbm/h	135 cbm/h
Excavation width		4.000 - 4.400 mm	4.000 - 4.400 mm
Subgrade Excavation Chain	250 cbm/h	350 cbm/h	450 cbm/h
Excavation width (all models)		4.200 - 6.000 mm	
Excavation depth max.	1.200 mm	1.200 mm	1.200 mm
Installation gravel/sand up to	500 mm	500 mm	500 mm
Installation track formation layer	300 mm	300 mm	300 mm
Material supply (backwards)	BA 255	BA 255	BA 255
Evacuation (to the front)	MFS 40/100	MFS 40/100	MFS 40/100

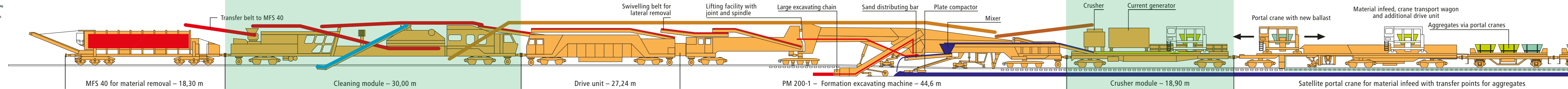
PM 200-1 BR

Spoil
Excavated ballast
New ballast
New FPL material
Recycled ballast



PM 200-1 BR/C

Spoil
Excavated ballast
New ballast
New FPL material
Recycled ballast
Additional materials



PM 200-1 BR/C – a formation rehabilitation machine in modular design

It can be optionally used to completely renew ballast, clean ballast or produce grade 2 mixture from existing, old ballast in combination with trackbound formation rehabilitation. It can be used in periods of possession of 7 hours and over.

Formation rehabilitation with complete renewal – PM 200-1

Removal of ballast which cannot be recycled/cleaned and removal of the subgrade. Installation of new or externally recycled ballast and new formation layer in one operation.

Formation rehabilitation with ballast cleaning – PM 200-1 BR

Removal of the old ballast and cleaning using the RM module. Removal of the subgrade, installation of new formation layer and the cleaned ballast in one operation.

Formation rehabilitation with ballast recycling to PSS material – PM 200-1 BR/C

Removal of the ballast using the RM module. Ballast crushing using the conical crusher and mixing with new material to form the formation layer. The new ballast is installed in a separate operation.

eurailpool GmbH
Lise-Meltnier-Str. 9
D-85737 Ismaning
Tel. +49 (0) 89 90 93 97-20
Fax +49 (0) 89 90 93 97-266
info@eurailpool.com

Austrian branch office
Kl. Neusiedler Str. 29
A-2401 Fischamend
Tel. +43 (0) 2230 92 73
Fax +43 (0) 2230 92 79 061